

120VAC Wiring Diagram for 9102 Series Controllers

This wiring diagram applies to the following models:

- TC-9102S-HV
- TC-9102D-HV
- TCA-9102S-HV
- TCA-9102D-HV
- HC-9102S-HV
- HC-9102D-HV
- HCA-9102S-HV
- HCA-9102D-HV

CAUTION

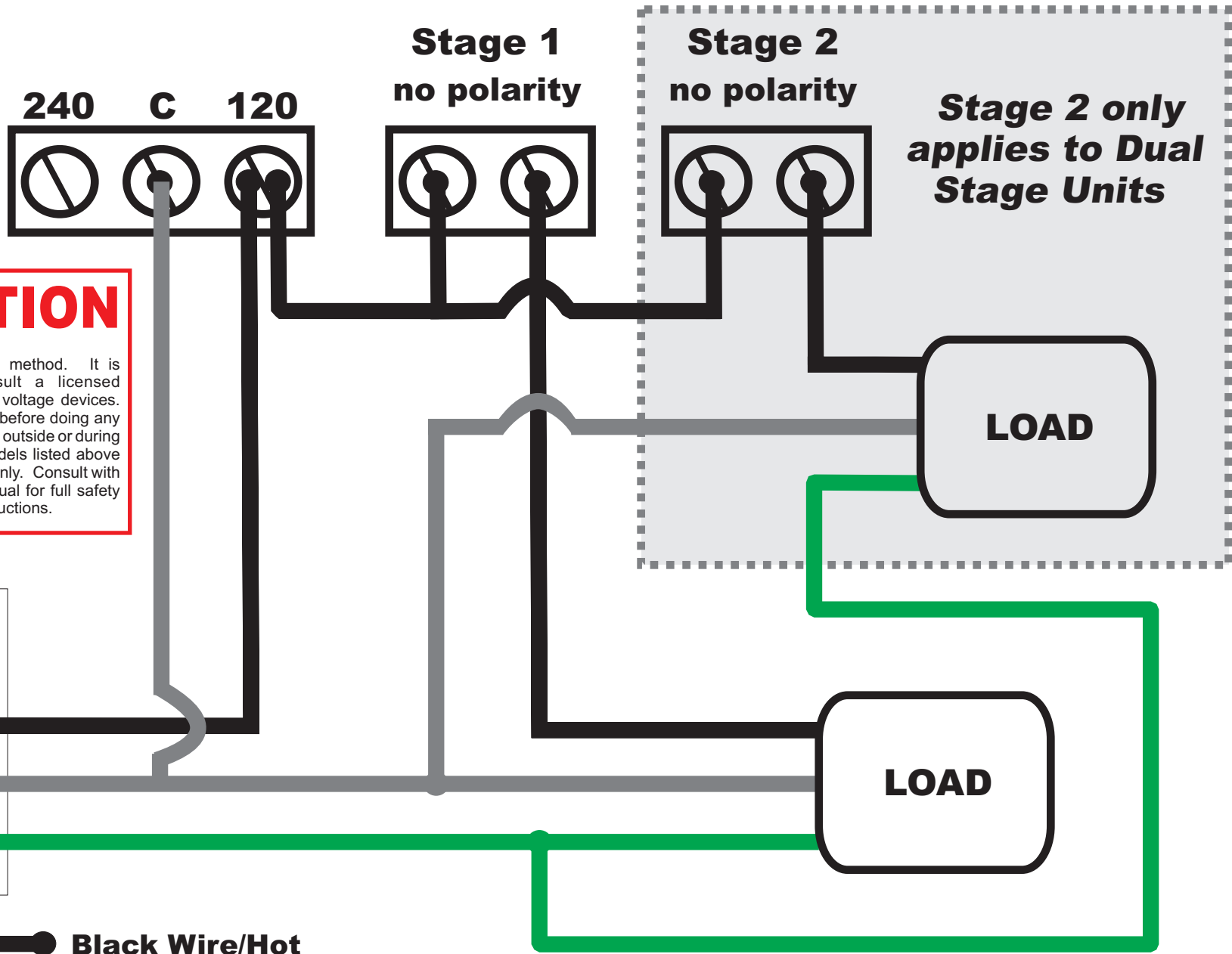
This is a suggested wiring method. It is recommended users consult a licensed electrician when wiring high voltage devices. Always disconnect all power before doing any wiring. Never wire this device outside or during an electrical storm. The models listed above are approved for indoor use only. Consult with the provided instruction manual for full safety guidelines and operation instructions.

Incoming Power

Hot

Neutral

Ground



●—● **Black Wire/Hot**

●—● **White Wire/Neutral**

●—● **Green Wire/Ground**