

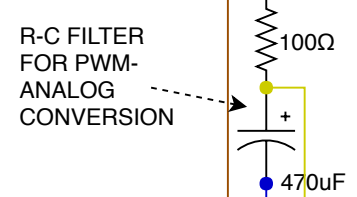
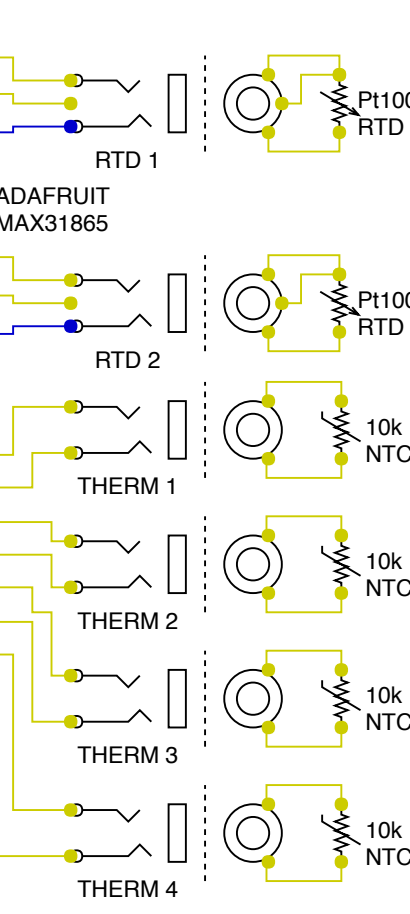
ELEMENTS MAX
5500W @ 240VAC

ELEMENT 2 CAN
SELECT BETWEEN
120V (1375W) AND
240V (5500W)

KEY	
	LINE 1
	LINE 2
	NEUTRAL
	GROUND
	24VDC
	12VDC
	DC GND
	5VDC
	DATA/SIGNAL
	10 AWG
	14 AWG
	22 AWG



ADHERE TO ALL
WARNINGS/NOTICES ON
FIRST PAGE
PAGE 2/3



ADHERE TO ALL
WARNINGS/NOTICES ON
FIRST PAGE
PAGE 3/3