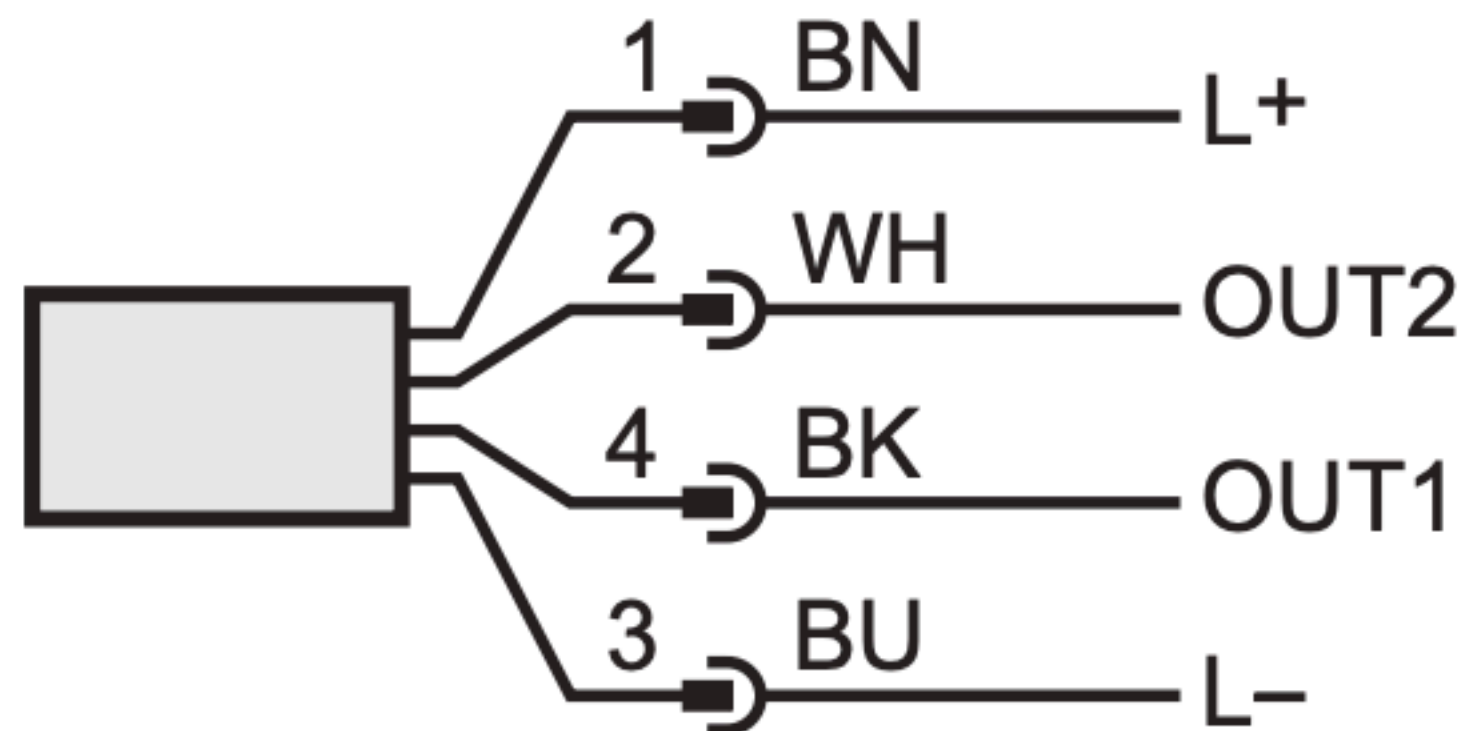


BK: black
 BN: brown
 BU: blue
 WH: white



Colours to DIN EN 60947-5-2

Pin 1	L+
Pin 3	L-
Pin 4 (OUT1)	Analogue signal for temperature
Pin 2 (OUT2)	Analogue signal for volumetric flow quantity